

music hall
mmf-2.3se

INSTRUCTION MANUAL

music hall
<http://www.musichallaudio.com>

CONGRATULATIONS ON YOUR PURCHASE

You have selected an exceptional turntable. Each component used in the construction of the mmf-2.3se was selected to provide you with superior performance and the highest level of sound reproduction available today. We know of no turntable that costs as much to produce yet sells for so little. The precise and elegant design of this turntable makes it easy to install and operate. Please take a few moments to read over the operating instructions to ensure that you get the best performance from your deck and years of trouble-free service.

SAFETY GUIDELINES

This product is designed and manufactured to strict quality and safety standards. However, you should be aware of the following installation and operation precautions:

1. Take heed of warnings and instructions

Read all the instructions before connecting or operating the turntable. Keep this manual so you can refer to these safety instructions. Heed all warnings and safety information in these instructions and on the turntable. Follow all operating instructions.

2. Water and Moisture

To reduce the risk of fire or electric shock, do not expose the turntable to moisture or water. If the turntable is exposed to moisture, immediately disconnect the power cord from the wall. Take the deck to an authorized music hall service center for inspection. Do not touch the turntable, power cord, or plug with wet hands.

3. Object or liquid entry

Do not allow foreign objects or liquids into the unit. If this happens, immediately disconnect the power cord from the wall and take the unit to an authorized music hall service center for inspection.

4. Heat

Keep the turntable away from naked flames, radiators, heat registers, stoves, or any other heat-producing appliances (including amplifiers).

5. Climate

The turntable has been designed for use in moderate climates. Do not attempt to use below 41 degrees Fahrenheit (5 degrees Celsius) or above 95 degrees Fahrenheit (35 degrees Celsius).

6. Racks and Stands

Place the turntable on a fixed, level surface strong enough to support its weight. Do not place it on a moveable cart that could tip over. We recommend only using stands approved for use with audio equipment. See the **SITING** section for further suggestions.

7. Cleaning

Please refer to the **MAINTENANCE** section for detailed cleaning instructions.

8. Power Sources

Connect the turntable only to a power supply of the type and voltage described in the operating instructions or specified on the rear panel of the unit.

9. Power-cord protection

Connect the turntable to the power outlet only with the supplied power supply. Do not modify the supplied power supply in any way. Do not attempt to defeat grounding and/or polarization provisions.

Do not use extension cords.

Do not route the power supply cord where it will be crushed, pinched, bent at severe angles, exposed to heat, or damaged in any way.

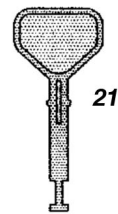
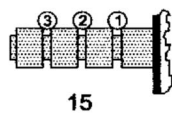
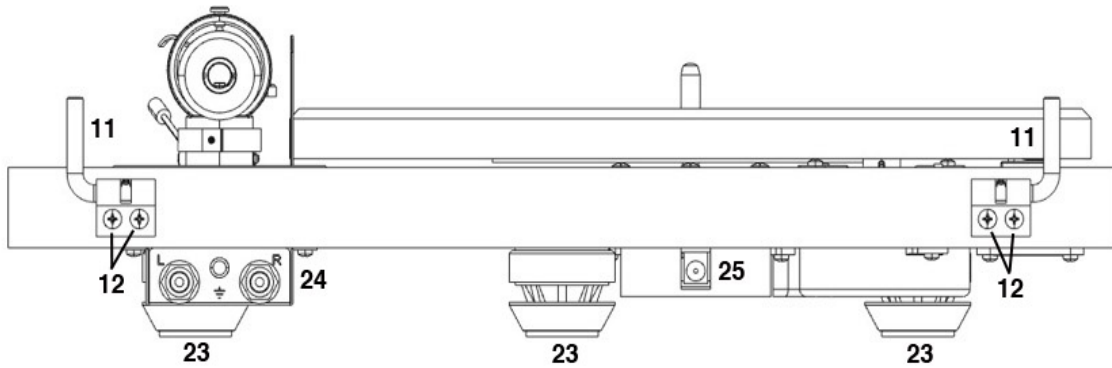
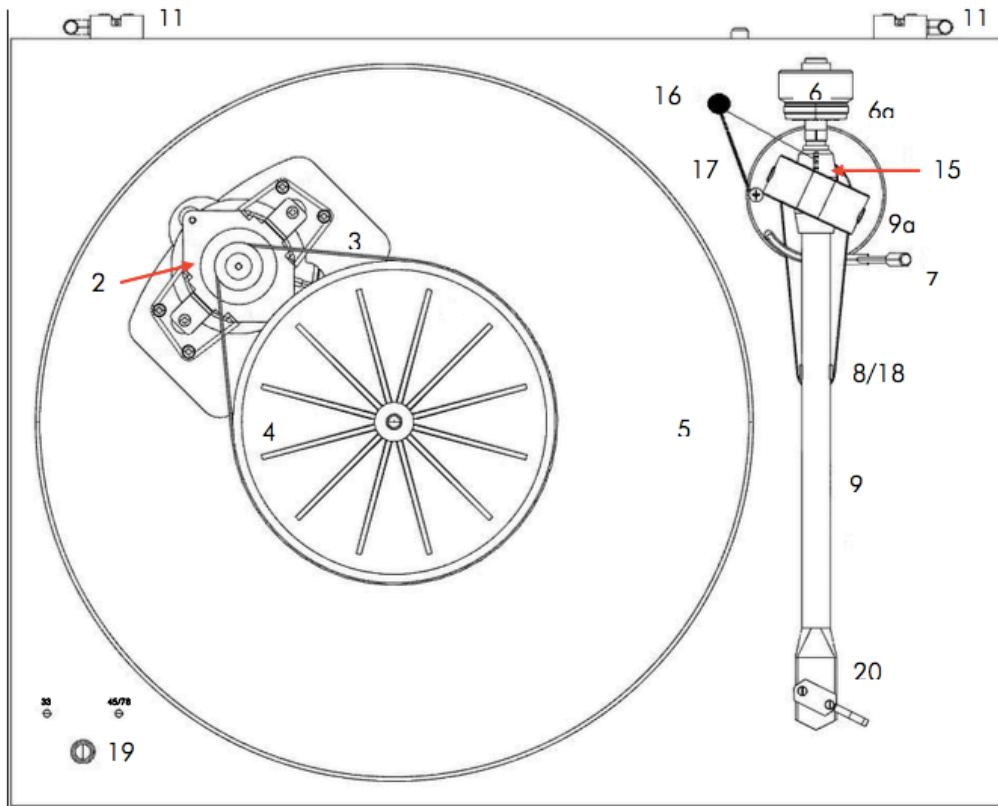
10. Non-use periods

If the deck is to be left unused for a long period of time, the power supply should be unplugged from the wall outlet and the belt removed.

11. Damage Requiring Service

Stop using the turntable immediately and have it inspected by an authorized music hall service center whenever:

1. The power supply cord or plug has been damaged.
2. Liquid has been spilled onto the motor or into the bearing well.
3. The turntable has been exposed to rain.
4. The turntable does not operate properly.
5. The turntable has been dropped or damaged.
6. Smoke or any unusual smell is detected from the turntable.



PARTS INVENTORY AND OPERATION CONTROL DIAGRAM

1. 2 x motor screws
2. 1 x motor with stepped pulley
3. 2 x drive belt (3), 1 for 33/45 rpm operation, 1 larger belt for 78 rpm
4. 1 x sub-platter
5. 1 x platter with felt mat, packaged in bottom of box
6. 1 x tonearm counterweight (**located in the bottom packing foam**)
7. 1 x tonearm lift lever/cueing lever
8. 1 x tonearm rest
9. 1 x tonearm
10. 1 x dust cover
11. 2 x dust-cover hinges
12. 4 x dust-cover hinge screws
13. 1 x power supply (**located in a small white box set into the underside of the bottom packing foam**)
14. 1 x high quality interconnect
15. 1 x anti-skating rod
16. 1 x anti-skating weight, (packaged in a small bag inside the parts bag)
17. 1 x anti-skating hanger
18. 1 x arm lock
19. 1 x START/STAND BY button with speed control 33, 45/78
20. 1 x headshell w/cartridge fitted
21. 1 x belt changing tool packaged in parts bag
22. 1 x motor
23. 3 x feet (**1 x foot is located in the parts bag**)
24. audio output connectors
25. DC power input socket

Parts bag includes:

- 1 x 45 rpm adapter
- 2 x drive belt (3), 1 for 33/45 rpm operation, 1 larger belt for 78 rpm
- 1 x high quality interconnect (14)
- 1 x cartridge alignment (tangency) guide
- 1 x anti-skate weight (16) (tiny weight attached to small piece of fishing line)
- 1 x belt changing tool (21)

GETTING STARTED

Thank you for purchasing the music hall mmf-2.3se turntable. It is a 3-speed belt-driven, audiophile turntable that comes complete with a music hall cartridge mounted in a high-quality carbon tonearm. The alloy platter runs on a precision, stainless steel and bronze bearing assembly to provide fluid and quiet operation. These features combine to ensure that the mmf-2.3se delivers superior audio performance that will provide years of enjoyment.

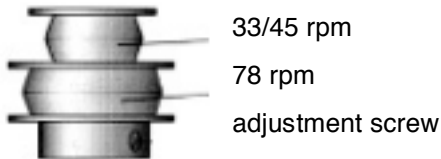
FOR YOUR INFORMATION

This manual provides valuable information that will help you get optimum performance from your system. Please contact your authorized music hall dealer for any additional clarifications you may require. **Save the music hall mmf-2.3se shipping carton and all enclosed packing material for future use. Shipping or moving the mmf-2.3se in anything other than the original packing material may result in severe damage that is not covered by the warranty.** Be sure to keep the original sales receipt; it is your best record of the date of purchase, which you will need in the event warranty service is required.

SET-UP

The music hall mmf-2.3se is supplied partially assembled and carefully packaged for safe transport. To assemble the turntable, please follow the instructions carefully.

1. Clear a level (use a spirit level) and suitable workspace to assemble the turntable. This may be the final playing location.
2. Remove the turntable and all parts from the carton.
3. Install the drive belt (3) for 33 $\frac{1}{3}$ rpm play. This is the smaller of the 2 belts included. Loop the flat belt around the smaller diameter rim of the stepped motor pulley (2) and around the rim of the sub-platter (4).



4. Center the platter (5) over the spindle of the sub-platter (4) and lower it until it rests securely on the sub-platter.
5. Find the counterweight (6). It is in a cut-out in the bottom piece of packing foam. Place the counterweight (6) onto the tonearm. To do this, you are positioned in front of the turntable. Orient the counterweight so that the

tracking force scale (6a) is closest to you. Carefully, screw the counterweight counterclockwise onto the back of the tonearm. Don't worry about the exact position of the counterweight or the tracking force scale, you will soon adjust them.

6. Remove the tonearm-locking strap (18). Place it in a safe position for possible future transport.
7. Make sure the tonearm is in the tonearm rest (8). Carefully, remove the stylus guard (the piece of clear plastic on the bottom of the cartridge). Place it in a safe place for future use.
8. You will now set the cartridge tracking force. The mmf-2.3se comes complete with a factory-installed music hall cartridge. We recommend a tracking force of 2.0g. Please note; the tracking force scale (6a) on the counterweight (6) has no decimal point. 10 on the tracking force scale (6a) is actually 1.0g. 15 is actually 1.5g, etc. 2.0g is 20 on the scale (6a). To set the tracking force you must first balance (zero) the tonearm (9).

The objective of balancing or zeroing the tonearm is to get the tonearm to float parallel to the platter.

First, **lower the cueing lever (7)**.

Using your left hand, lift, position, and hold the tonearm (9) between the tonearm rest (8) and the platter (5). To avoid damage, be careful not to allow the cartridge to contact the plinth (the turntable base).

With your free hand turn the counterweight counterclockwise or clockwise until the tonearm floats freely, without the aid of your hand, in mid-air and parallel to the platter. Don't worry about the number on the tracking force scale, you will soon calibrate and set it properly. Once you have balanced the tonearm, return it to the tonearm rest.

You are now going to set the ring with numbers on the counterweight to zero.

This is called the tracking force scale.

The tracking force scale (6a) turns independently of the counterweight.

IMPORTANT

With your right hand, hold the rear part of the counterweight to make sure that it does not move.

With your left hand, lightly grip and turn the tracking force scale until the number zero is in the twelve o' clock position (dead center on top of the counterweight).

The tonearm is now zeroed. Check it, by once again floating the tonearm between the tonearm rest and the platter. If the tonearm doesn't float parallel

to the platter at zero, return to the previous steps and make the necessary adjustments. Return the tonearm to the tonearm rest.

IMPORTANT

Do not touch the tracking force scale again.

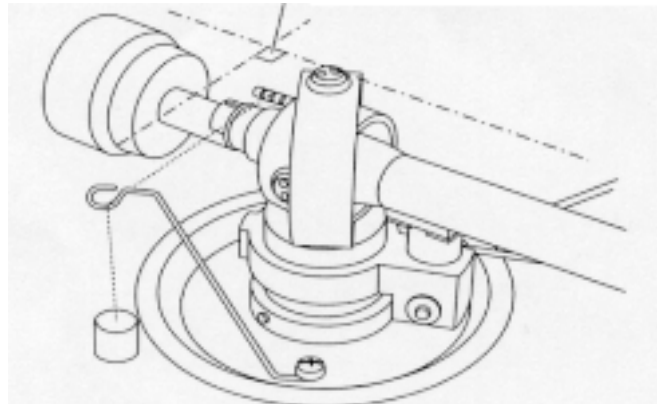
Turn the counterweight counterclockwise with your right hand.

You will notice that the tracking force scale will also turn.

Turn it through numbers 5, 10, 15 to the position 20 on the scale. This is equivalent to 2.0grams. The correct tracking force has now been set.

Every arm and cartridge combination has an optimum tracking force. This can easily be set by ear. Increments of 0.1g can produce significant differences. Once the cartridge has run-in (usually about 24 -50 hours of playing time) feel free to experiment with a slightly higher or lower tracking force and pick the one you prefer.

9. Locate the anti-skating weight (16). You will notice a small fishing line attached to the anti-skating weight (16). Slip the looped end of the fishing line over the anti-skating rod (15) and into notch number 3 (See diagram below). Lift the anti-skating weight (16) over the anti-skating hanger (17) and feed the fishing line through the looped end of the anti-skating hanger (17). The anti-skating weight (16) should now be dangling in free space to the left of the hanger. If it is not dangling, simply bend the anti-skating hanger (17) by pushing it away from the tonearm pillar with your finger.



10. Slide the dust cover (10) onto the dust cover hinges (11) on the back of the plinth. If necessary, adjust the tightness of the hinges by turning the dust cover hinge screws (12).

NOTE

If you are substituting another cartridge for the music hall 'Spirit', you may need to make the following further adjustments to the tonearm (9) and cartridge:

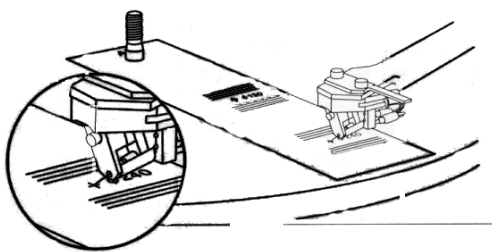
If you are a novice, music hall recommends seeking professional help.

All cartridges with half inch mounting holes can be fitted. Leaving the stylus guard on, fit the cartridge to the head shell (21) using the screws supplied with the cartridge by passing one screw through each slot in the finger lift and the head shell (21). Snug the nuts.

Connect the tonearm (9) wires to the cartridge pins as follows:

white left channel positive (L+)
red right channel pos. (R+)
green right channel return (R -)
blue left channel return (L -)

To achieve the best sound reproduction, the cartridge must be positioned precisely in the head shell. To do this, fit the tangency guide (you'll find this in the parts bag. It's a white rectangular piece of cardboard with black lines) over the spindle at point 'A' and onto the platter, black lines side up (See diagram below). Remove the stylus guard. Move the tonearm (9) (adjusted for the correct tracking force of your cartridge) to the pattern. When the stylus tip of the cartridge is at two points shown on the guide, the front of the cartridge should be parallel to the lines on the pattern. If necessary, slide the cartridge back and forth until the stylus tip is positioned correctly. Tighten the cartridge mounting screws.



VTA Adjustment: The VTA for the installed music hall cartridge has been properly set at the factory. To adjust the VTA for other cartridges, lay a record on the platter (5). Slacken the horizontal adjustment screws (two **Allen** screws on the back or the tonearm pillar near the base of the tonearm in the 10 and 2 o'clock position) with the Allen Key provided.

IMPORTANT

Do not loosen the vertical screws that hold the anti skate arm to the base.

Move the tonearm (9) up or down until it is parallel to the record surface when viewed from the side. Tighten the horizontal adjustment screws.

VTA like Tracking Force can also be set by ear. Feel free to experiment with VTA positions slightly above or below parallel and choose the position you prefer. If you have any further questions regarding the adjustment of your turntable, please contact your music hall dealer.

***Save all packing materials, parts, and screws for possible future transport.**

SITING

FLOOR MOUNTING - Place the deck on a small, light, rigid table, e.g., coffee table. Ensure that the table is level on the floor and not rocking.

WALL MOUNTING - Wall mounting may be preferable when the floor is springy or when there is risk of damage by children or pets. The shelf should be light and rigid, and fully supported by, but not firmly screwed or glued to its brackets.

To allow the lid to open fully, a clearance of 3 inches (7.5 cm.) is required behind the plinth and at least 13 inches (33 cm.) above.

MAINS CONNECTION

Locate the wall transformer. It's in a small white box set into the underside of the packing foam. Plug the small male end of the wall transformer wire into the female receptacle on the DC power input (25) for the motor. The DC power input socket (25) for the motor is located on the underside of the turntable near the back. Plug the transformer into the wall. Push the START button (19) once to turn the motor on and check that the platter (5) spins.

AUDIO CONNECTION

The supplied music hall cartridge is a moving-magnet cartridge. Connect the interconnect cable (14) to the audio output connectors (24) on the bottom of the turntable and connect the ground lead to the screw. Connect the other end of the interconnect cable and ground cable (14) to the MM (Moving Magnet) phono input on your receiver, integrated amp, or pre-amplifier.

OPERATION

Place a record on the platter and push the START button (19). Remove the stylus guard, if fitted, and lift up the tonearm with the cueing lever (7). Position the cartridge stylus tip above the initial groove of the record. Gently lower the cueing lever (7) to lower the stylus onto the record.

To stop play, lift the cueing lever (7) to raise the arm and then bring the tonearm back to the tonearm rest (8). Push and hold the START button for 3 seconds (19) to switch the turntable to STAND BY mode or to stop the platter spinning. It is recommended to replace the stylus guard (optional) when the turntable is not in use.

SPEED CONTROL OPERATION

Press the START button to start the turntable. For change the speed from 33 rpm to 45 rpm, please press the START button again. Speed is correct, when the LED diode stops blinking.

For 78 rpm, first remove the smaller 33/45 belt from the motor pulley (2) and sub-platter (4). Locate the larger 78 rpm belt included in the parts bag. Install it on the larger motor pulley and around the sub-platter. For speed change to 78 rpm press the START button twice. Speed is correct, when the LED diode stops blinking. For change back to 33/45 rpm operation simply change back to the 33/45 belt.

To switch turntable to STAND BY mode or to stop it spinning, please hold the START button for 3 seconds.

MAINTENANCE

The mmf-2.3se is designed for a long operational life. To preserve the appearance of your deck and maintain its performance, you should note the following points when cleaning (Make sure the stylus guard is in place before you begin):

PLINTH - The plinth is constructed from medium density fiberboard covered with wood veneer, therefore it should not be subjected to extremes of temperature or direct sunlight. The finish may change slightly with age. A damp cloth or soft duster is ideal for cleaning the plinth; polish, particularly wax-based, can be hard to remove.

PLATTER - The alloy platter can be cleaned with a soft, dry, lint-free cloth.

MAT - Clean the felt mat with masking tape.

MOTOR - The motor is equipped with self-lubricating bearings. The motor pulley should be cleaned periodically to remove deposits of rubber shed by the belt. Remove the outer platter and belt. Gently clean with a cotton swab or lint-free cloth dampened with isopropyl alcohol.

BELT - The belt should last for many years. The belt can be cleaned at the same time as the pulley. The best way to clean the belt is to pull it gently through a

damp cloth. If the turntable is not going to be used for a long period of time, it is advisable to remove the belt from the platter rim to prevent stretching.

OIL - The oil supplied for the main bearing provides life-long protection. If oil is lost from the bearing housing, replace it with a single drop of Mobil 1 or other 10w/40 synthetic oil containing Teflon.

DUST COVER - This can be cleaned using any commercial acrylic or plastic cleaners. The simplest approach is to remove any dust with a damp, lint-free cloth without rubbing and then use a soft duster. Covers are more often damaged in cleaning than in use.

STYLUS - Remove the stylus guard. We recommend a dry, vibrating-pad cleaner. Wet cleaners or soft stylus brushes are not recommended.

TECHNICAL SPECIFICATIONS:

Power Supply: 15V / 0-0.8mA DC, universal power supply
Power Consumption: 4W / <1W in stand-by
Speeds: 33 $\frac{1}{3}$ /45 rpm (manual change to 78 rpm)
Speed deviation: $\pm 0.18\%$
Wow and flutter: $\pm 0.11\%$
Rumble Max: -68 db

Effective tonearm length: 8.6 in.(218.5mm)
Overhang: .73 inch (18.5mm)
Dimensions: 16.75 x 12.6 x 4.33 in. (415 x 329 x 125 mm)
Weight (including pkg.): 15lbs. (5.7 kg)

CARTRIDGE SPECIFICATIONS: music hall Spirit cartridge

Frequency Response: 20Hz – 20kHz ± 3 dB
Channel Balance: 2.5dB @ 1kHz
Channel Separation: >20dB @ 1kHz
Output: 3.5mV ± 2 dB, 1kHz @ 5cm/sec
Vertical Tracking Angle: 20 degrees
Stylus Shape: Elliptical 0.4 x 0.7 mil
Stylus Type: Replaceable
Cantilever: Alloy tube
Load Impedance: 47,000 Ohm
Stylus Construction: Bonded Round Shank
Cartridge Weight: 5.7g
Fixing Center: 0.5" (12.7mm)
Playing Weight 1.5 – 2.5g (2.0g nom.)

Music Hall reserves the right to make technical modifications.

Check our website for the latest updates.

TROUBLESHOOTING

Music hall turntables are manufactured to the highest standards and undergo strict quality controls before leaving the factory. If, for some reason your turntable is not working properly, please take a few moments to review this list of potential causes.

THE PLATTER DOESN'T TURN, ALTHOUGH THE DECK IS SWITCHED ON:

- The turntable is not connected to the mains power supply.
- No mains at the socket.
- The belt is not fitted or has slipped off.

NO SIGNAL IN ONE OR BOTH CHANNELS:

- No connection between the turntable and amplifier.
- Phono input not selected at amplifier.
- Poor contact or broken connection.
- Amplifier not switched on.
- Amplifier or speakers defective or muted.
- Cartridge not wired into the head shell
- Loudspeakers not connected.

LOUD HUM ON PHONO INPUT:

- No earth connection from cartridge, tonearm, or audio cable to amplifier.
- Ground loop.
- Turntable too close to one or both speakers.

DISTORTED SOUND FROM ONE OR BOTH CHANNELS:

- Record player connected to wrong input of amplifier.
- MM/MC switch on pre-amp incorrectly set.
- Dust on the stylus.
- Needle or cantilever damaged.
- Wrong speed
- Dirty or over-stretched belt.
- Platter bearing dry, dirty or damaged.

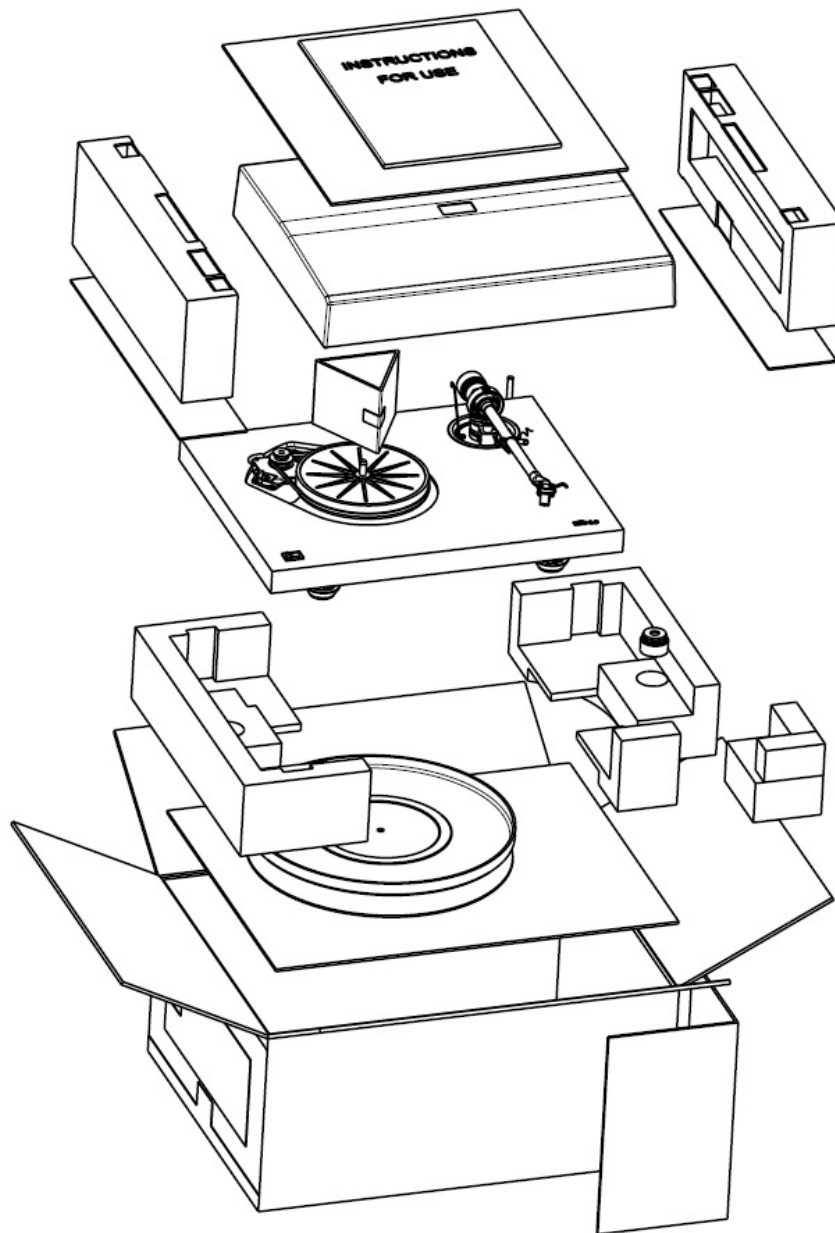
SERVICE

Should you encounter a problem that you cannot solve, please contact your dealer. If the problem cannot be resolved by the dealer please contact music hall for further advice. Never return a record player without authorization and without making sure that it is safely disassembled and correctly packaged in the original packaging. Repairs will only be made under warranty if the unit is returned correctly packaged.

PACKING INSTRUCTIONS

Please remove and store the following parts: dust cover (10), anti-skating weight (16), platter (5), sub-platter (4), and belt (3).

Fit the stylus guard on the cartridge, insert the red motor-transport screws (1), and lock the tonearm (18). Package the turntable carefully in its original box using thick, 1¼ inch Bubble Wrap.



WARRANTY

This entitles you to have the music hall mmf-2.3se repaired free of charge, at our discretion, for one year after the date of purchase, at any authorized music hall service center, provided the unit was purchased from an authorized dealer. Your original sales receipt is proof of purchase date. music hall takes no responsibility for defects arising from accident, misuse, abuse, wear and tear, neglect or unauthorized repair and/or adjustment. music hall cannot accept responsibility for damage or loss that occurs during transit.

The warranty does not cover transportation costs.

CLAIMS UNDER WARRANTY

The mmf-2.3se should be packed in the original packing and returned to the dealer from whom it was purchased, or, upon authorization, to a music hall service center. It should be sent by a reputable carrier, carriage prepaid. Do not send the turntable via USPS (United States Postal Service). Since no responsibility will be accepted for a unit in transit to the dealer, customer, or authorized service agent, customers are advised to insure against loss, damage, or theft.

FOR FURTHER INFORMATION CONTACT:

music hall
108 Station Road
Great Neck, NY 11023
Tel: 516-487-3663
Fax: 516-773-3891
<http://www.musicchallaudio.com>